

# GIGALIGHT 800G OSFP DR8 500m Silicon Photonics Transceiver Module

P/N: GOS-SI801DR8CA

## Features

- ✓ OSFP MSA and CMIS compliant
- ✓ 8x106.25Gbps (53.125GBd PAM4) electrical interface
- ✓ 8x106.25Gbps (53.125GBd PAM4) optics architecture
- ✓ Power consumption <16W
- ✓ Maximum link length of 500m G.652 SMF with KP-FEC
- ✓ Dual MPO-12 receptacles
- ✓ Built-in digital diagnostic functions
- ✓ Operating case temperature 0°C to +70°C
- ✓ 3.3V power supply voltage
- ✓ RoHS compliant (lead free)



## Applications

- ◆ 800GBASE-DR8
- ◆ Data center network

## Description

The Gigalight GOS-SI801DR8CA is a transceiver module designed for 500m optical communication applications, and it is compliant to OSFP MSA, IEEE 802.3 protocol. The silicon photonics transceiver is based on a new state-of-the-art silicon photonics (SiPh) platform. It uses SiPh chips that integrate a number of active and passive optoelectronic components, 3D packaging technology and 7nm DSP chips. It has been designed to meet the harshest external operating conditions including temperature, humidity and EMI interference. The module offers very high functionality and feature integration, accessible via a two-wire serial interface.

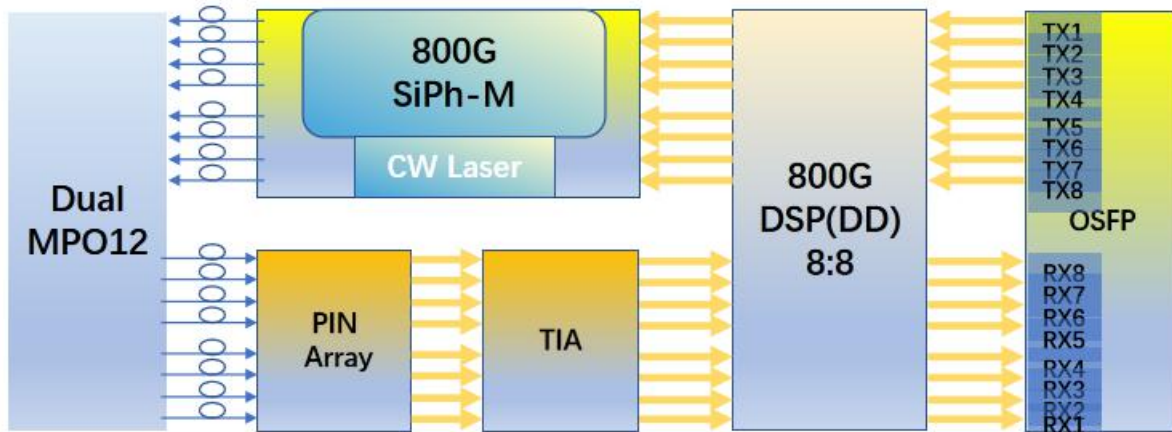


Figure1. DR8 Module Block Diagram

### Absolute Maximum Ratings

Parameter	Symbol	Min	Max	Unit
Supply Voltage	Vcc	-0.3	3.6	V
Input Voltage	Vin	-0.3	Vcc+0.3	V
Storage Temperature	Tst	-40	85	°C
Case Operating Temperature	Top	0	70	°C
Humidity(non-condensing)	Rh	5	95	%

### Recommended Operating Conditions

Parameter	Symbol	Min	Typical	Max	Unit
Supply Voltage	Vcc	3.13	3.3	3.47	V
Operating Case temperature	Tca	0		70	°C
Data Rate Per Lane	fd		106.25		Gbit/s
Humidity	Rh	5		85	%
Power Dissipation	Pm			16	W

### Electrical Specifications

Parameter	Symbol	Min	Typical	Max	Unit
-----------	--------	-----	---------	-----	------

Differential input impedance	Z <sub>in</sub>	90	100	110	ohm
Differential Output impedance	Z <sub>out</sub>	90	100	110	ohm
Differential input voltage amplitude	ΔV <sub>in</sub>	400		900	mVp-p
Differential output voltage amplitude	ΔV <sub>out</sub>			850	mVp-p
Bit Error Rate	BER			2.4E-4	-
Input Logic Level High	V <sub>IH</sub>	2.0		V <sub>cc</sub>	V
Input Logic Level Low	V <sub>IL</sub>	0		0.8	V
Output Logic Level High	V <sub>OH</sub>	V <sub>cc</sub> -0.5		V <sub>cc</sub>	V
Output Logic Level Low	V <sub>OL</sub>	0		0.4	V

**Note:**

- 1) BER=2.4E-4; PRBS31Q@53.125GBd. Pre-FEC
- 2) Differential input voltage amplitude is measured between TxnP and TxnN.
- 3) Differential output voltage amplitude is measured between RxnP and RxnN.

**Optical Characteristics**

Parameter	Symbol	Min	Typical	Max	Unit	Notes
<b>Transmitter</b>						
Centre Wavelength	λ <sub>c</sub>	1304.5		1317.5	nm	-
Side-mode suppression ratio	SMSR	30	-	--	dB	-
Average launch power, each lane	P <sub>out</sub>	-2.9	-	4.0	dBm	-
Optical Modulation Amplitude(OMA outer), each lane	OMA	-0.8	-	4.2	dBm	-
Transmitter and dispersion eye closure for PAM4 (TDECQ),each lane	TDECQ			3.4	dB	
Extinction Ratio	ER	3.5	-	-	dB	-
Average launch power of OFF transmitter, each lane				-16	dB	-

Receiver						
Centre Wavelength	$\lambda_c$	1304.5		1317.5	nm	-
Receiver Sensitivity in OMA outer <small>Note1</small>	RXsen			-4.4	dBm	1
Average power at receiver , each lane input, each lane	Pin	-5.9		4	dBm	-
Receiver Reflectance				-26	dB	-
LOS Assert		-15	-13		dBm	-
LOS De-Assert			-11	-9	dBm	-
LOS Hysteresis		0.5			dB	-

**Note:**

- 1) Measured with conformance test signal at TP3 for BER = 2.4E-4 Pre-FEC

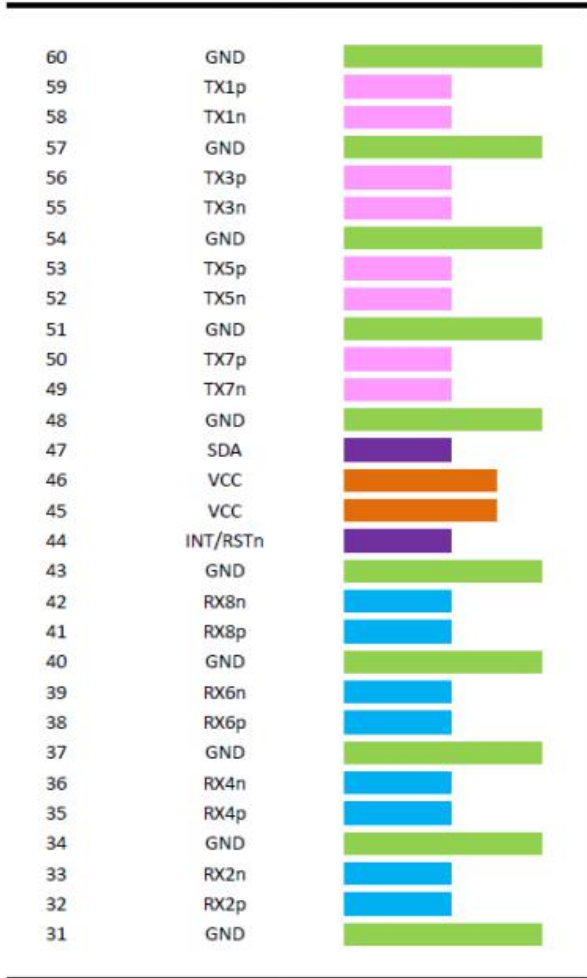
## Pin List and Description

Pin#	Symbol	Description	Logic	Direction	Plug Sequence	Notes
1	GND	Ground			1	
2	TX2p	Transmitter Data Non-Inverted	CML-I	Input from Host	3	
3	TX2n	Transmitter Data Inverted	CML-I	Input from Host	3	
4	GND	Ground			1	
5	TX4p	Transmitter Data Non-Inverted	CML-I	Input from Host	3	
6	TX4n	Transmitter Data Inverted	CML-I	Input from Host	3	
7	GND	Ground			1	
8	TX6p	Transmitter Data Non-Inverted	CML-I	Input from Host	3	
9	TX6n	Transmitter Data Inverted	CML-I	Input from Host	3	
10	GND	Ground			1	
11	TX8p	Transmitter Data Non-Inverted	CML-I	Input from Host	3	
12	TX8n	Transmitter Data Inverted	CML-I	Input from Host	3	
13	GND	Ground			1	
14	SCL	2-wire Serial interface clock	LVC MOS-I/O	Bi-directional	3	Open-Drain with pull-up resistor on Host
15	VCC	+3.3V Power		Power from Host	2	
16	VCC	+3.3V Power		Power from Host	2	
17	LPWn/PRSn	Low-Power Mode / Module Present	Multi-Level	Bi-directional	3	See pin description for required circuit
18	GND	Ground			1	
19	RX7n	Receiver Data Inverted	CML-O	Output to Host	3	
20	RX7p	Receiver Data Non-Inverted	CML-O	Output to Host	3	
21	GND	Ground			1	
22	RX5n	Receiver Data Inverted	CML-O	Output to Host	3	
23	RX5p	Receiver Data Non-Inverted	CML-O	Output to Host	3	
24	GND	Ground			1	
25	RX3n	Receiver Data Inverted	CML-O	Output to Host	3	
26	RX3p	Receiver Data Non-Inverted	CML-O	Output to Host	3	
27	GND	Ground			1	
28	RX1n	Receiver Data Inverted	CML-O	Output to Host	3	
29	RX1p	Receiver Data Non-Inverted	CML-O	Output to Host	3	
30	GND	Ground			1	

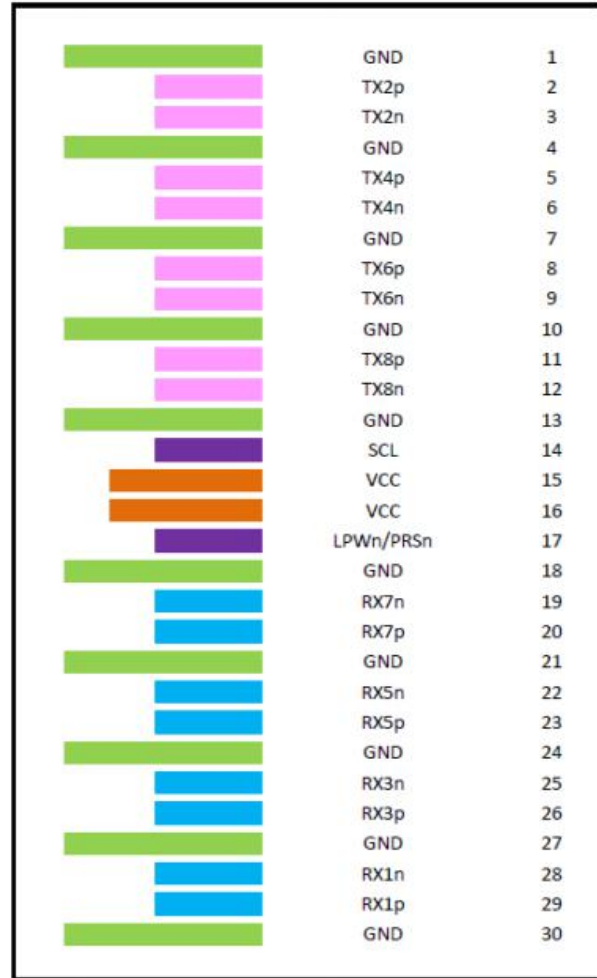
Pin#	Symbol	Description	Logic	Direction	Plug Sequence	Notes
31	GND	Ground			1	
32	RX2p	Receiver Data Non-Inverted	CML-O	Output to Host	3	
33	RX2n	Receiver Data Inverted	CML-O	Output to Host	3	
34	GND	Ground			1	
35	RX4p	Receiver Data Non-Inverted	CML-O	Output to Host	3	
36	RX4n	Receiver Data Inverted	CML-O	Output to Host	3	
37	GND	Ground			1	
38	RX6p	Receiver Data Non-Inverted	CML-O	Output to Host	3	
39	RX6n	Receiver Data Inverted	CML-O	Output to Host	3	
40	GND	Ground			1	
41	RX8p	Receiver Data Non-Inverted	CML-O	Output to Host	3	
42	RX8n	Receiver Data Inverted	CML-O	Output to Host	3	
43	GND	Ground			1	
44	INT/RSTn	Module Interrupt / Module Reset	Multi-Level	Bi-directional	3	See pin description for required circuit
45	VCC	+3.3V Power		Power from Host	2	
46	VCC	+3.3V Power		Power from Host	2	
47	SDA	2-wire Serial interface data	LVC MOS-I/O	Bi-directional	3	Open-Drain with pull-up resistor on Host
48	GND	Ground			1	
49	TX7n	Transmitter Data Inverted	CML-I	Input from Host	3	
50	TX7p	Transmitter Data Non-Inverted	CML-I	Input from Host	3	
51	GND	Ground			1	
52	TX5n	Transmitter Data Inverted	CML-I	Input from Host	3	
53	TX5p	Transmitter Data Non-Inverted	CML-I	Input from Host	3	
54	GND	Ground			1	
55	TX3n	Transmitter Data Inverted	CML-I	Input from Host	3	
56	TX3p	Transmitter Data Non-Inverted	CML-I	Input from Host	3	
57	GND	Ground			1	
58	TX1n	Transmitter Data Inverted	CML-I	Input from Host	3	
59	TX1p	Transmitter Data Non-Inverted	CML-I	Input from Host	3	
60	GND	Ground			1	



**Top Side (viewed from top)**



**Bottom Side (viewed from bottom)**



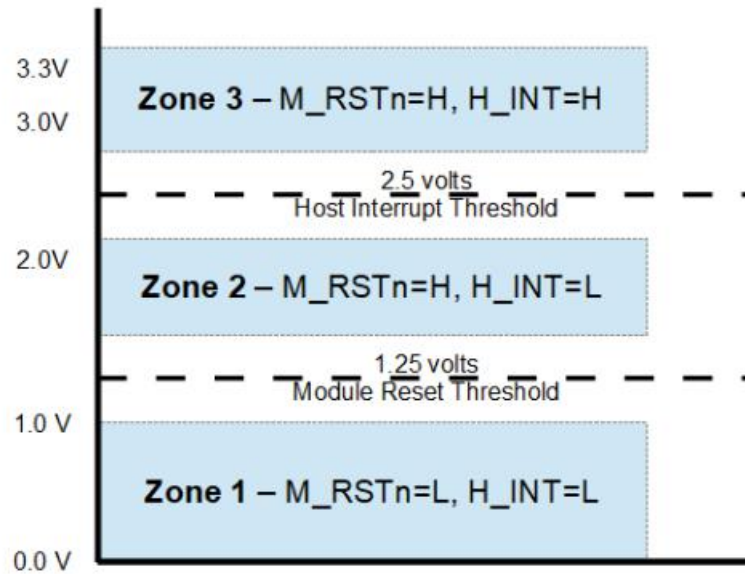
----- Module Card Edge -----

**Figure2. OSFP module Pin-out Details**

**INT/RSTn**

INT/RSTn is a dual function signal that allows the module to raise an interrupt to the host and also allows the host to reset the module. The circuit shown in Figure 4 enables multi level signaling to provide direct signal control in both directions. Reset is an active-low signal on the host which is translated to an active-low signal on the module. Interrupt is an active high signal on the module which gets translated to an active-high signal on the host.

The INT/RSTn signal operates in 3 voltage zones to indicate the state of Reset for the module and Interrupt for the host. Figure 3 shows these 3 zones. The host uses a voltage reference at 2.5 volts to determine the state of the H\_INT signal and the module uses a voltage reference at 1.25V to determine the state of the M\_RSTn signal.



**Figure3. INT/RSTn voltage zones**

- Zone 1 – Reset operation – Zone 1 is the state when the module is in reset and interrupt deasserted (M\_RSTn=Low, H\_INT=Low). The min/max voltages for Zone 1 are defined by parameters V\_INT/RSTn\_1 and V\_INT/RSTn\_2 in Table 1.
- Zone 2 – Normal operation – Zone 2 is the normal operating state with reset deasserted (M\_RSTn=High) and interrupt deasserted (H\_INT=Low). The min/max voltages for Zone 2 are defined by parameter V\_INT/RSTn\_3 in Table 1.
- Zone 3 – Interrupt operation – Zone 3 is the state for the module to assert interrupt and the module must also be out of reset (M\_RSTn=High, H\_INT=High). The min/max voltages for Zone 3 are defined by parameter V\_INT/RSTn\_4 in Table 1.



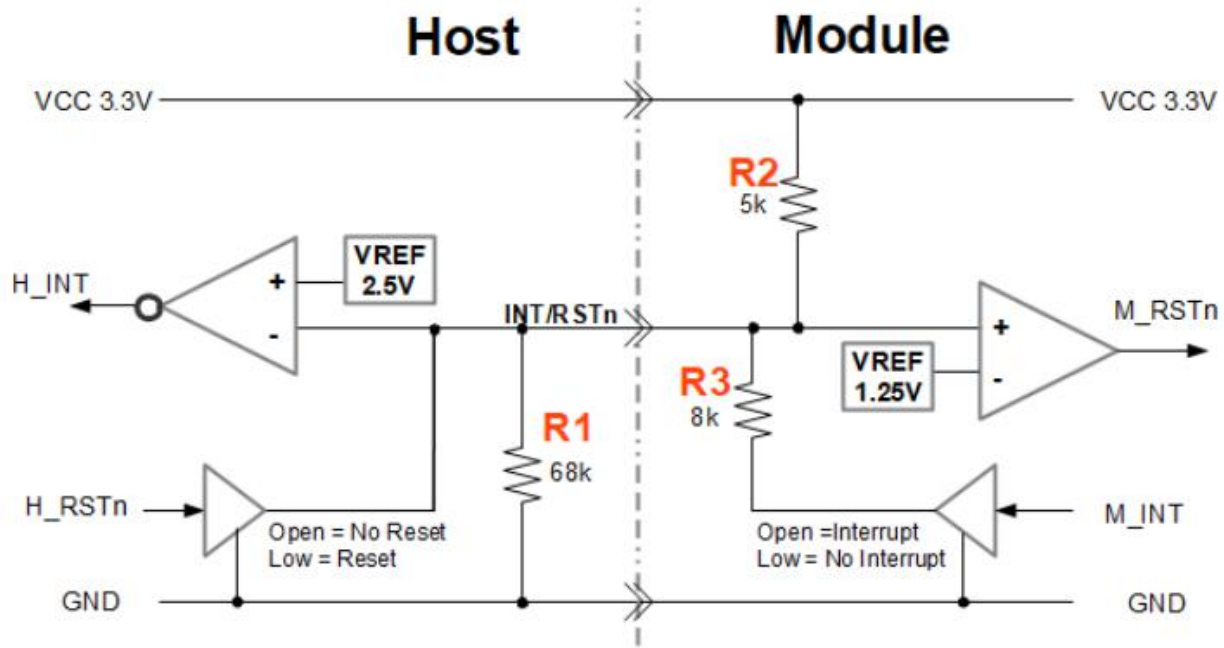


Figure 4. INT/RSTn circuit

Table 1. INT/RSTn circuit parameters

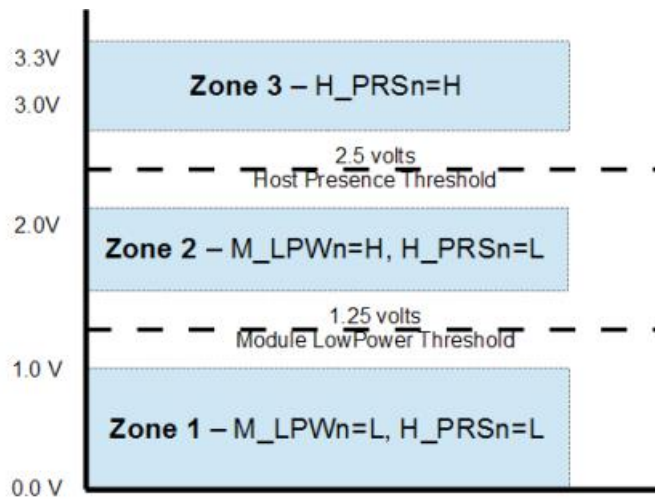
Parameter	Nominal	Min	Max	Units	Note
Host VCC	3.300	3.135	3.465	Volts	VCC voltage on the Host
H_Vref_INT	2.500	2.475	2.525	Volts	Precision voltage reference for H_INT
M_Vref_RSTn	1.250	1.238	1.263	Volts	Precision voltage reference for M_RSTn
R1	68k	66k	70k	Ohms	Recommend 68.1k ohms 1% resistor
R2	5k	4.9k	5.1k	Ohms	Recommend 4.99k ohms 1% resistor
R3	8k	7.8k	8.2k	Ohms	Recommend 8.06k ohms 1% resistor
V_INT/RSTn_1	0.000	0.000	1.000	Volts	INT/RSTn voltage for No Module
V_INT/RSTn_2	0.000	0.000	1.000	Volts	INT/RSTn voltage for Module installed, H_RSTn=Low
V_INT/RSTn_3	1.900	1.500	2.250	Volts	INT/RSTn voltage for Module installed, H_RSTn=High, M_INT=Low
V_INT/RSTn_4	3.000	2.750	3.465	Volts	INT/RSTn voltage for Module installed, H_RSTn=High, M_INT=High

## LPWn/PRSn

LPWn/PRSn is a dual function signal that allows the host to signal Low Power mode and the module to indicate Module Present. The circuit shown in Figure 6 enables multi-level signaling to provide direct signal control in both directions. Low Power mode is an active low signal on the host which gets converted to an active-low signal on the module. Module Present is controlled by a pull-down resistor on the module which gets converted to an active-low logic signal on the host.

The LPWn/PRSn signal operates in 3 voltage zones to indicate the state of Low Power mode for the module and Module Present for the host. Figure 5 shows these 3 zones. The host uses a voltage

reference at 2.5 volts to determine the state of the H\_PRSn signal and the module uses a voltage reference at 1.25V to determine the state of the M\_LPWn signal.



**Figure 5. LPWn/PRSn voltage zones**

- Zone 1 – Low Power mode – Zone 1 is the low power state and module is present (M\_LPWn=Low, H\_PRSn=Low). The min/max voltages for Zone 1 are defined by parameters V\_LPWn/PRSn\_1 in Table 2.
- Zone 2 – High Power mode – Zone 2 is the high power state and module is present (M\_LPWn=High, H\_PRSn=Low). The min/max voltages for Zone 2 are defined by parameters V\_LPWn/PRSn\_2 in Table 2.
- Zone 3 – Module Not Present – Zone 3 is the state for when the module is not present (H\_PRSn=High). The min/max voltages for Zone 3 are defined by parameters V\_LPWn/PRSn\_3 in Table 2.

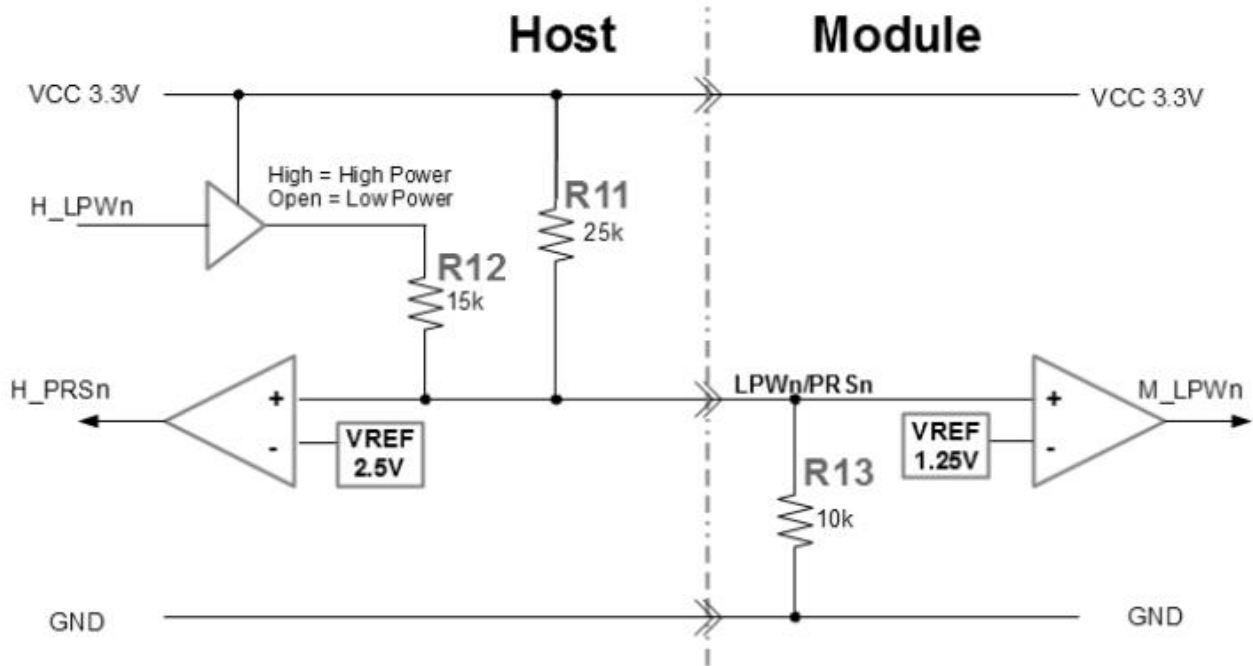


Figure 6. LPWn/PRSn circuit

Table 2. LPWn/PRSn circuit parameters

Parameter	Nominal	Min	Max	Units	Note
Host VCC	3.300	3.135	3.465	Volts	VCC voltage on the Host
H_Vref_PRSn	2.500	2.475	2.525	Volts	Precision voltage reference for H_PRSn
M_Vref_LPWn	1.250	1.238	1.263	Volts	Precision voltage reference for M_LPWn
R11	25k	24.5k	25.5k	Ohms	Recommend 24.9k ohms 1% resistor
R12	15k	14.7k	15.3k	Ohms	Recommend 15k ohms 1% resistor
R13	10k	9.8k	10.2k	Ohms	Recommend 10k ohms 1% resistor
V_LPWn/PRSn_1	0.950	0.000	1.100	Volts	LPWn/PRSn voltage for Module installed, H_LPWn=Low
V_LPWn/PRSn_2	1.700	1.400	2.250	Volts	LPWn/PRSn voltage for Module installed, H_LPWn=High
V_LPWn/PRSn_3	3.300	2.750	3.465	Volts	LPWn/PRSn voltage for No Module

## Power Supply Filtering

Figure 7 provides an example implementation for a 3.3V power filter on the host board.

If an alternate circuit is used for power filtering then the same filter characteristics as this example filter shall be met.

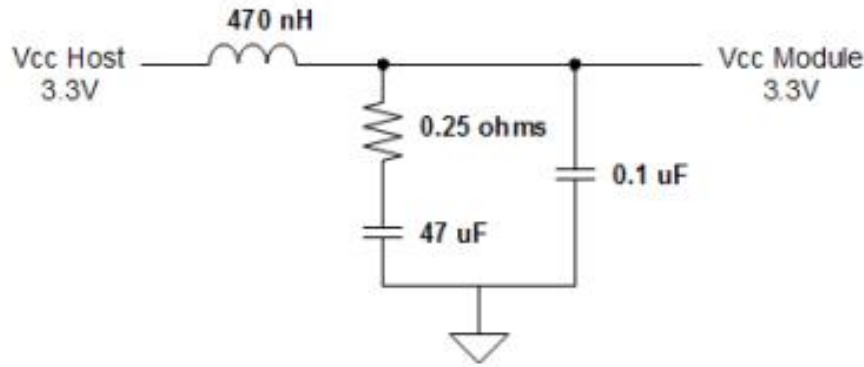


Figure7. Host Board Power Supply Filtering

## DIAGNOSTIC MONITORING INTERFACE

Digital diagnostics monitoring function is available on all Gigalight OSFP products. A 2-wire serial interface provides user to contact with module.

## Memory Structure and Mapping

The TWI protocol only supports eight-bit addresses. This limits the management memory that can be directly accessed by the host to 256 bytes, which is divided in Lower Memory (addresses 00h through 7Fh) and Upper Memory (addresses 80h through FFh).

A larger addressable management memory is required for all but the most basic modules. This is supported by a structure of 128-byte pages, together with a mechanism for dynamically mapping any of the 128-byte pages from a larger internal management memory space into Upper Memory the host addressable space.

The addressing structure of the additional internal management memory is shown in Figure 8. The management memory inside the module is arranged as a unique and always host accessible address space of 128 bytes (Lower Memory) and as multiple upper address subspaces of 128 bytes each (Pages), only one of which is selected as host visible in Upper Memory. A second level of Page selection is possible for Pages for which several instances exist (e.g. where a bank of pages with the same Page number exists).

This structure supports a flat 256 byte memory for passive copper modules and permits timely access to addresses in the Lower Memory, e.g. Flags and Monitors. Less time critical entries, e.g. serial ID information and threshold settings, are available with the Page Select function in the Lower Page. For more complex modules which require a larger amount of management memory the host needs to use

dynamic mapping of the various Pages into the host addressable Upper Memory address space, whenever needed.

**Note:** The management memory map has been designed largely after the QSFP memory map. This memory map has been changed in order to accommodate 8 electrical lanes and to limit the required memory space. The single address approach is used as found in QSFP. Paging is used in order to enable time critical interactions between host and module.

## Supported Pages

A basic 256 byte subset of the Management Memory Map is mandatory for all CMIS compliant devices. Other parts are only available for paged memory modules, or when advertised by the module. See CMIS V4.0 for details regarding the advertisement of supported management memory spaces.

In particular, support of the Lower Memory and of Page 00h is required for all modules, including passive copper cables. These pages are therefore always implemented. Additional support for Pages 01h, 02h and bank 0 of Pages 10h and 11h is required for all paged memory modules.

Bank 0 of pages 10h-1Fh, provides lane-specific registers for the first 8 lanes, and each additional bank provides support for additional 8 lanes. Note, however, that the allocation of information over the banks may be page specific and may not to be related to grouping data for 8 lanes.

The structure allows address space expansion for certain types of modules by allocating additional Pages. Moreover, additional banks of pages.



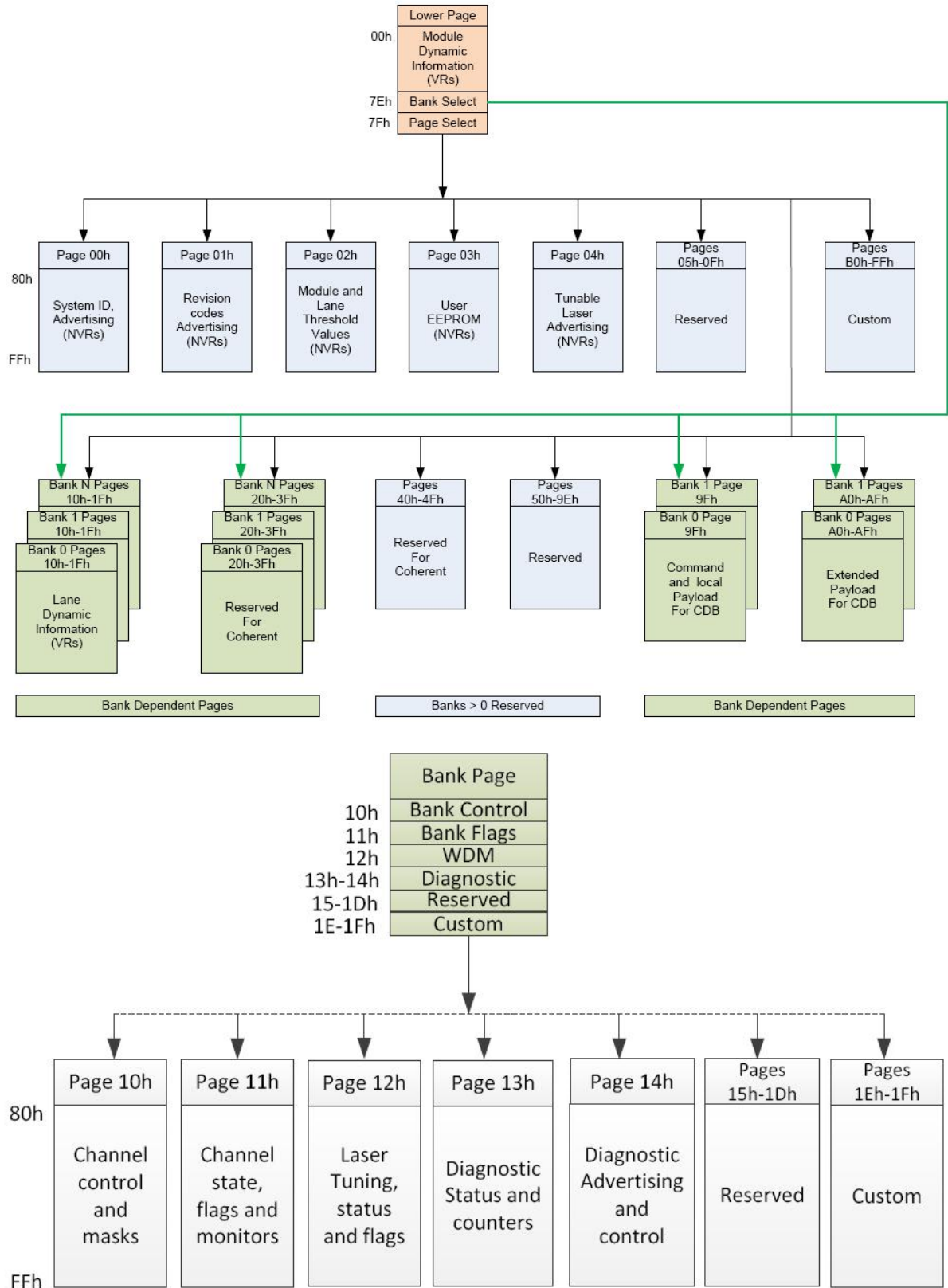
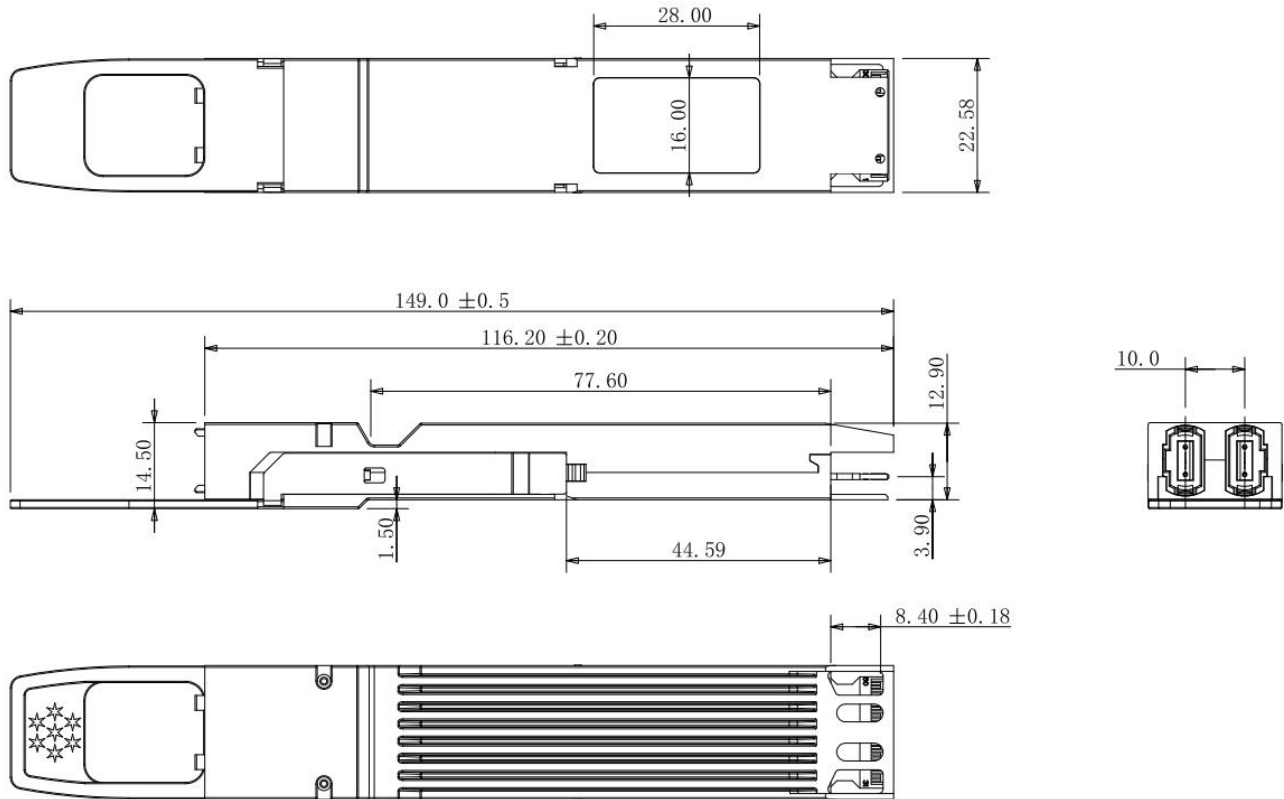


Figure8. OSFP Memory Map



## Mechanical Dimensions(mm)



**Figure9. Mechanical Specifications**

## Regulatory Compliance

Gigalight GOS-SI801DR8CA transceivers are Class 1 Laser Products. They meet the requirements of the following standards:

Feature	Standard
Laser Safety	IEC 60825-1:2014 (3 <sup>rd</sup> Edition) IEC 60825-2:2004/AMD2:2010 EN 60825-1:2014 EN 60825-2:2004+A1+A2
Electrical Safety	EN 62368-1: 2014 IEC 62368-1:2014 UL 62368-1:2014
Environmental protection	Directive 2011/65/EU with amendment(EU)2015/863
CE EMC	EN55032: 2015 EN55035: 2017 EN61000-3-2:2014 EN61000-3-3:2013

FCC	FCC Part 15, Subpart B ANSI C63.4-2014
-----	---

## References

1. OSFP MSA
2. CMIS
3. IEEE802.3
4. OIF CEI-112G-VSR

## CAUTION:

Use of controls or adjustment or performance of procedures other than those specified herein may result in hazardous radiation exposure.

## Ordering information

Part Number	Product Description
GOS-SI801DR8CA	OSFP, 800GBASE-DR8, 500m on Single mode Fiber (SMF), with DSP and Dual MPO-12 connector.

## Important Notice

Performance figures, data and any illustrative material provided in this data sheet are typical and must be specifically confirmed in writing by GIGALIGHT before they become applicable to any particular order or contract. In accordance with the GIGALIGHT policy of continuous improvement specifications may change without notice.

The publication of information in this data sheet does not imply freedom from patent or other protective rights of GIGALIGHT or others. Further details are available from any GIGALIGHT sales representative.

E-mail: [sales@gigalight.com](mailto:sales@gigalight.com)

Official Site: [www.gigalight.com](http://www.gigalight.com)

## Revision History

Revision	Date	Description
V0	May-08-2024	Advance Release.